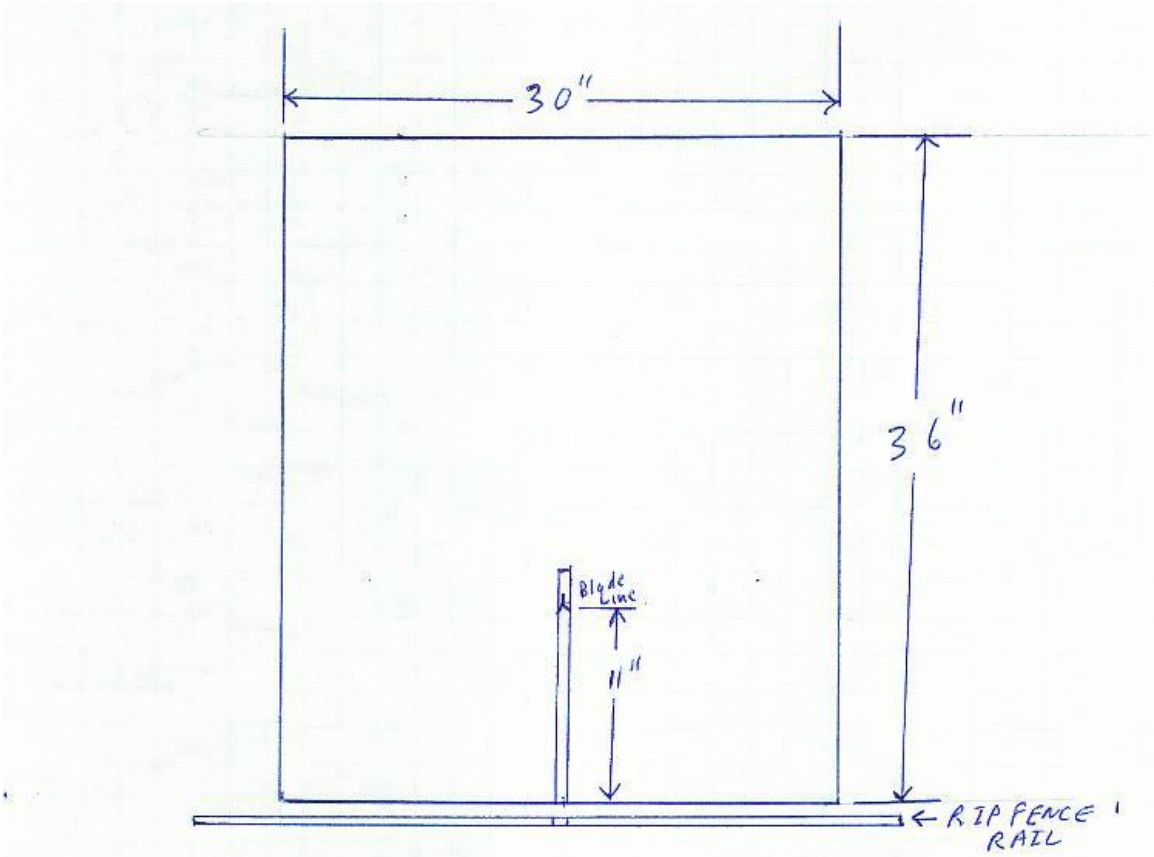


36" Band Saw Table To Blade Line Relationship



36" BANDSAW TABLE TO BLADELINE RELATIONSHIP
FOR STANDARD 30" X 36" TABLE